



Sign No. 14 - Event Sign

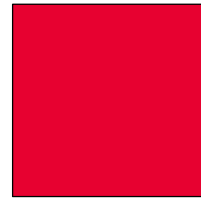
Sheet List	
Sheet Number	Sheet Name
01	title sheet and drawing list
02	sign design/graphic design details
03	sign and graphic design
04	sign construction

project: Campus Wayfinding
 number: FM 09-8567
 issue date: Jan 31, 2012

sign: Sign No. 14 - Event Sign
 sheet name: title sheet and drawing list
 scale: as noted

sheet number: **01**

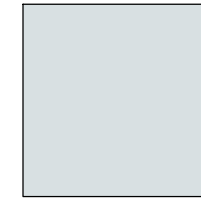
core colours



PANTONE 185 C
pinstrip, arrows



PANTONE 426 C
text



PANTEONE 7541 C
background, UVic Logo



gary oak motif - digital file is to be delivered
by University of Victoria

samples of typeface family

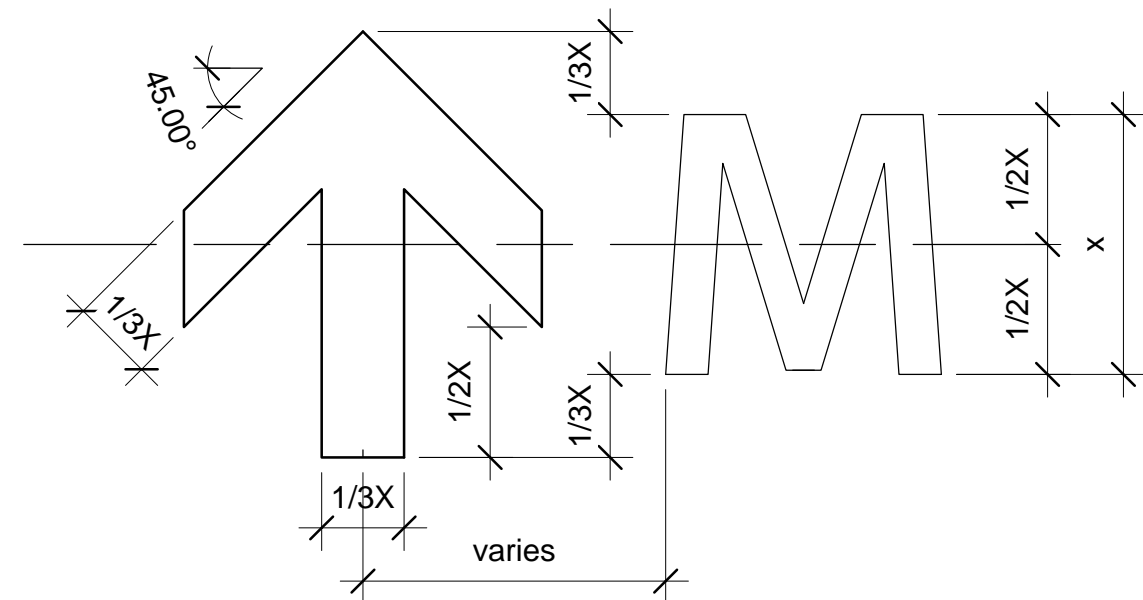
Myriad Pro Semi Bold

ABCDEFGHIJKLMNOPQRSTUVWXYZ

abcdefghijklmnopqrstuvwxyz

1234567890

arrow style and arrow size in relation to text height



University of Victoria Logo, horizontal standard



University
of Victoria

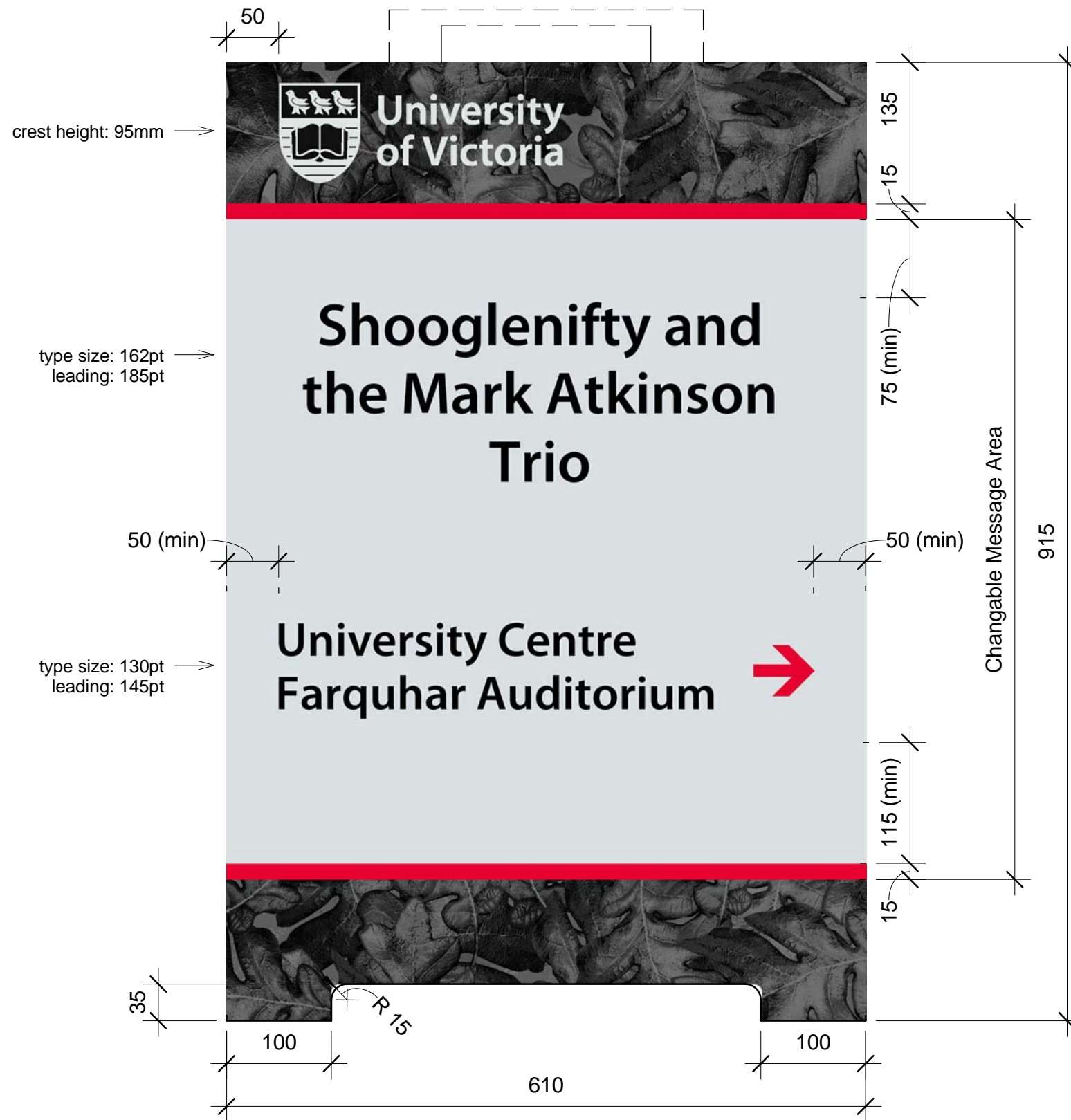


University
of Victoria



University
of Victoria



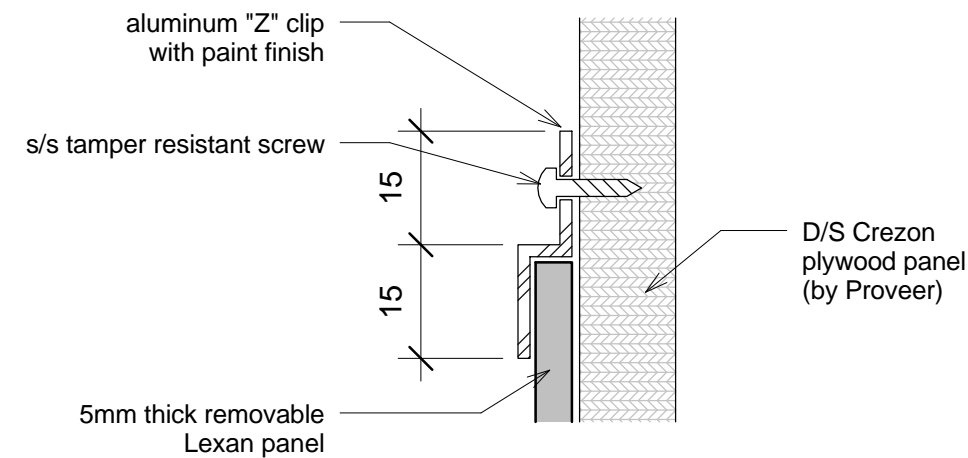
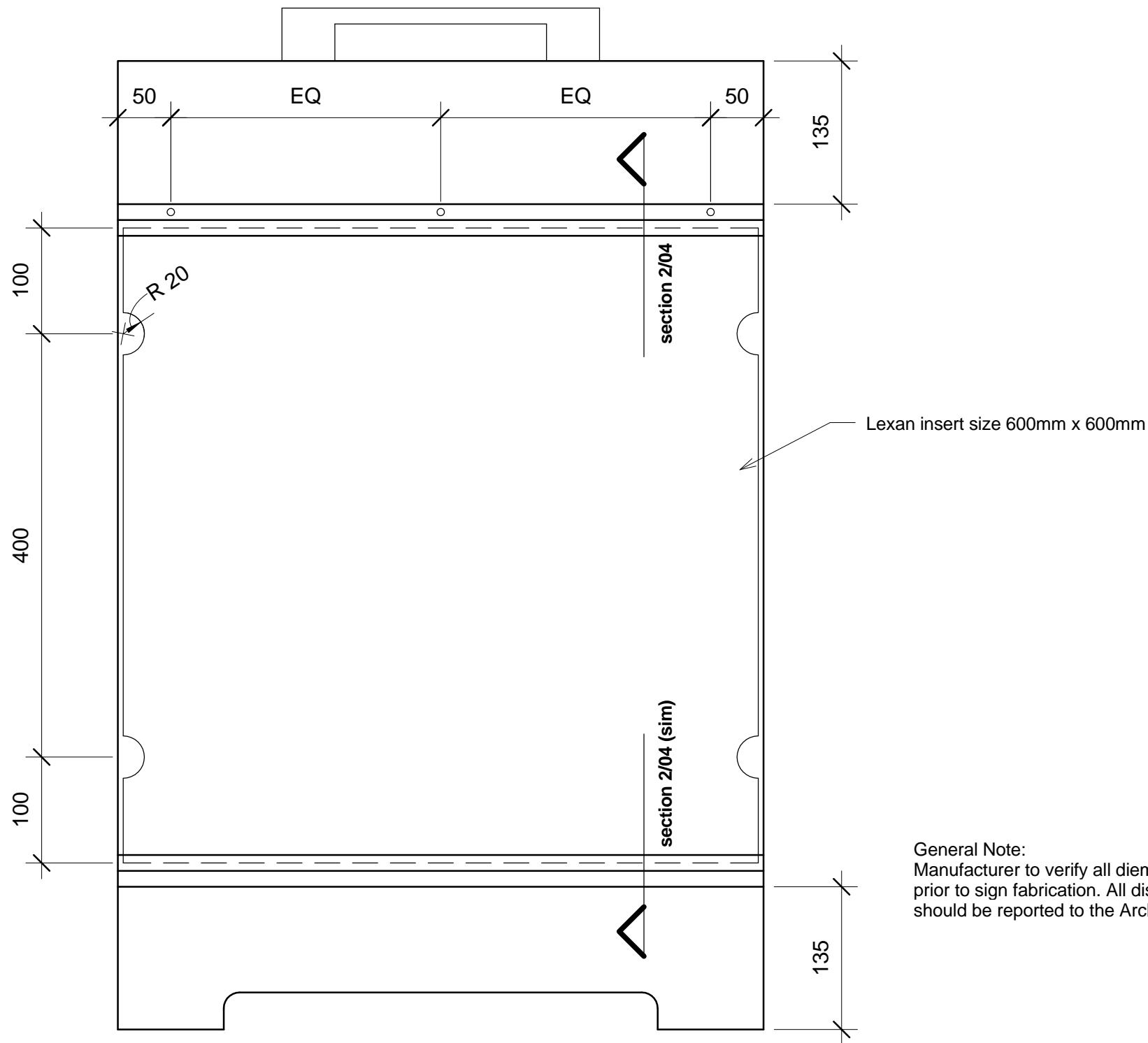


Description
 Digitally printed vinyl protected with anti-graffiti, optically clear overlamine - vinyl and overlamine to be applied on both sides of the panels.
 D/S Crezon plywood sandwich board 610 x 915 mm by Proveer
 3/16" thick clear Lexan protection panel

Vinyl: 3M IJ180, MPI 2005 or equivalent
 Overlamine: 3M 8914, Avery DOL 6060 or equivalent.

- 1) One piece vinyl to be printed on, installed as per manufacturer's recommendations.
 - 2) Use compatible UV inks and overlamines as recommended by manufacturer
 - 3) Wrap vinyl and overlamine over the edges of the aluminum panel.
 - 4) Message to be printed on changable graphic film by 3M or Avery or paper
- Refer to Adobe Photoshop files for detailed sample layout

scale 1:5



2 aluminum retainer detail
1 : 1

General Note:
Manufacturer to verify all dimensions prior to sign fabrication. All discrepancies should be reported to the Architect.

scale 1:5

1 Sign Construction
1 : 5

project: Campus Wayfinding
number: FM 09-8567
issue date: Jan 31, 2012

sign: Sign No. 14 - Event Sign
sheet name: sign construction
scale: as noted

sheet number:

04