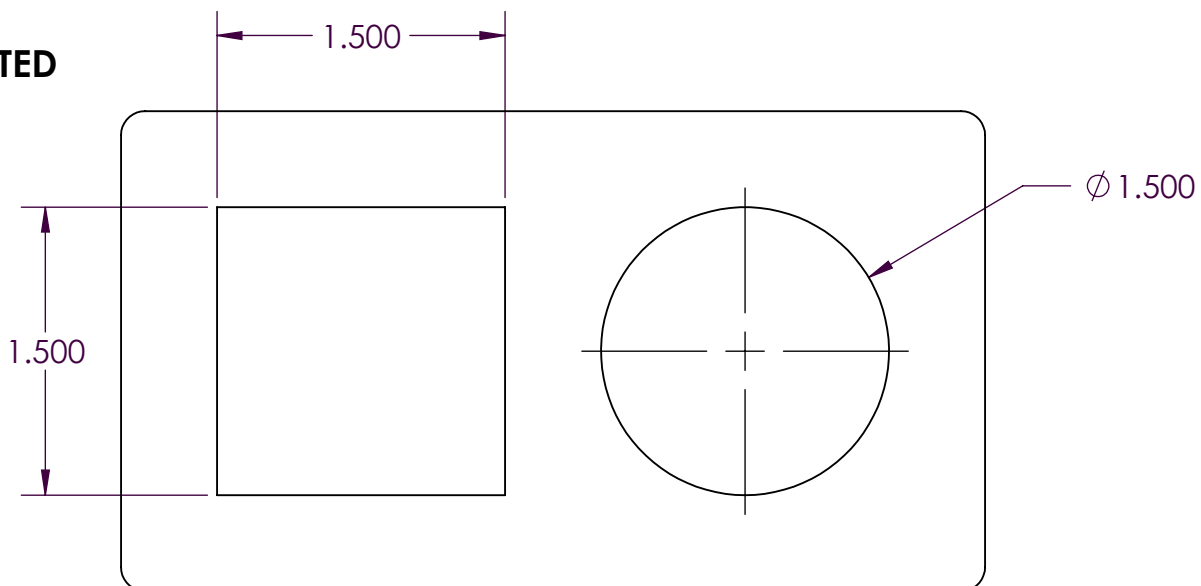
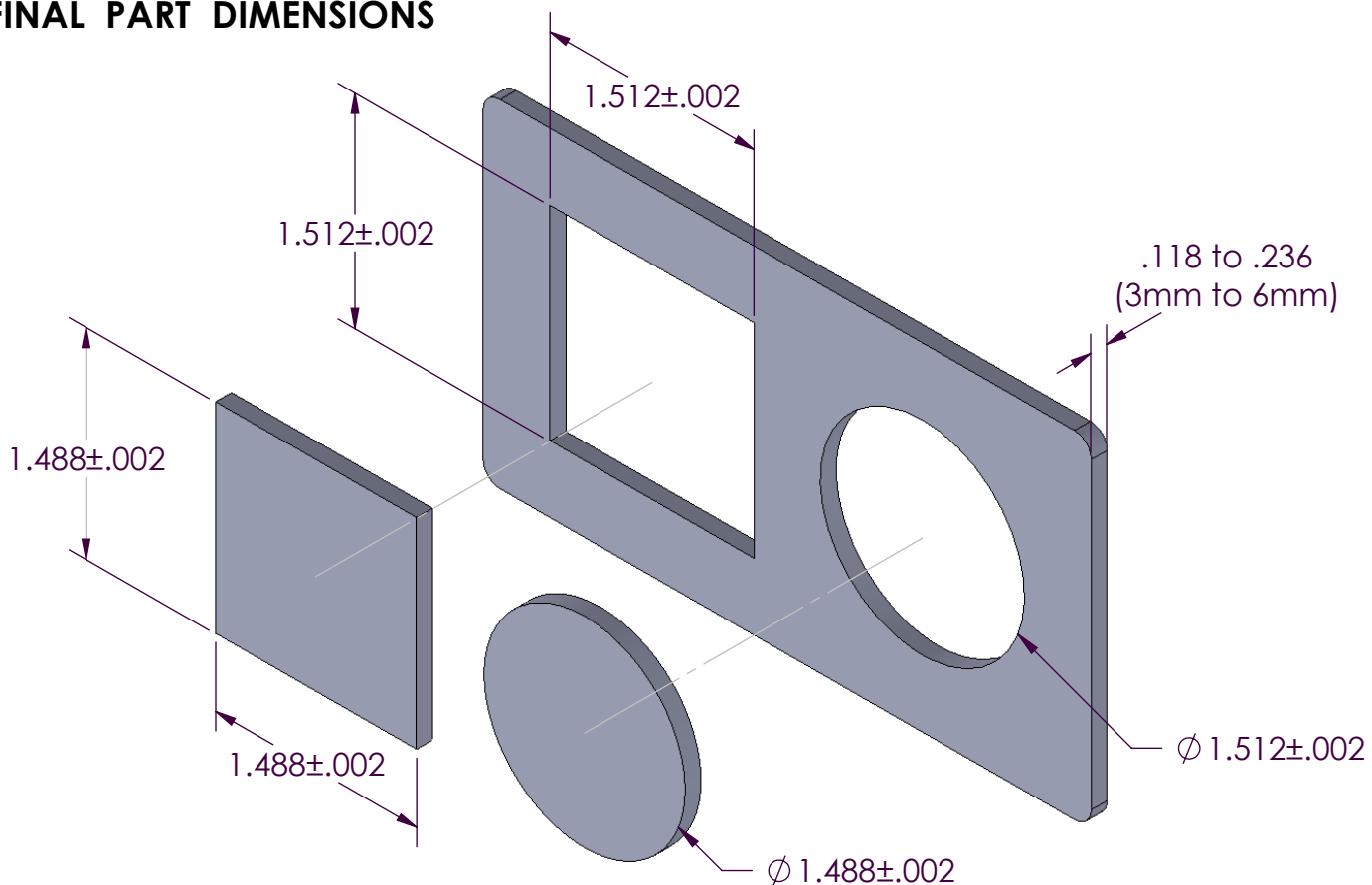


## LASER CUT FINAL PROFILE DIMENSIONS VS DRAFTED DIMENSIONS FOR 1/8" to 1/4" ACRYLIC (PLEXIGLAS)

AS DRAFTED



FINAL PART DIMENSIONS



WIDTH OF CUT (KERF) IS 0.012", SO FEMALE CAVITIES ARE 0.012" LARGER THAN DRAFTED, AND MALE COUNTERPARTS ARE 0.010" SMALLER THAN DRAFTED (0.006" ON EACH SIDE)